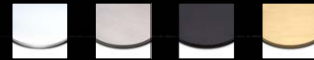


FHC Compass Series

Sliding Shower Door Kit

Patent Pending

- » For Use With 3/8" (10 mm) Tempered Glass
- » Innovative Modern Minimalist Design
- » Concealed Micro Roller Technology
- » Silent Quiet Glide Operation
- » Safety: No Roller Pinch Points at Header Bar
- » Great For Hospitality Applications
- » Sliding Panel and Fixed Reversible Configuration
- » Stock Size Kits: 78" Wide, Field Cut to Size
- » One Standard Size Fits Most Applications
- » Offered in Four Popular Architectural Finishes: Polished Stainless, Brushed Stainless, Matte Black and Satin Brass



CSI DIVISION 10
SECTION
10 2885

VIEW OUR NEW FSH24
SHOWER DOOR CATALOG
ONLINE AT FHC-USA.COM



Our **FHC Compass Series Frameless Sliding Shower Door Kit** offers a modern, low profile design, that includes a rectangular header and roller fittings. It's engineered for use with 3/8" tempered glazing. Each Roller Carriage requires two 5/8" diameter holes in the glass for proper mounting. Precision bearings and wheels also offer a quiet glide experience. One standard size (78" wide), fits most 180 degree inline applications, and can be cut to size.

FSH24 Frameless Shower Door Hardware & Supplies
176 Pages of Professional Grade Shower Door Hardware



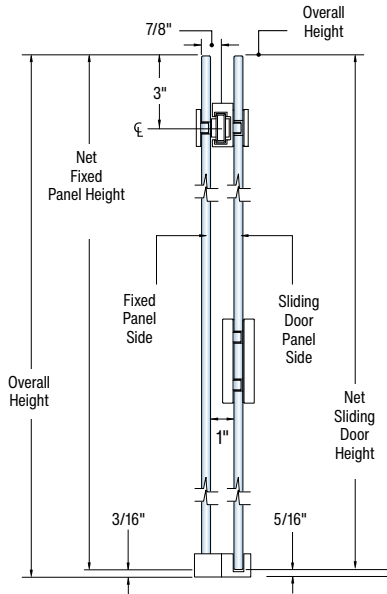
The Glazing Supply Company
EXPERIENCE AND INNOVATION



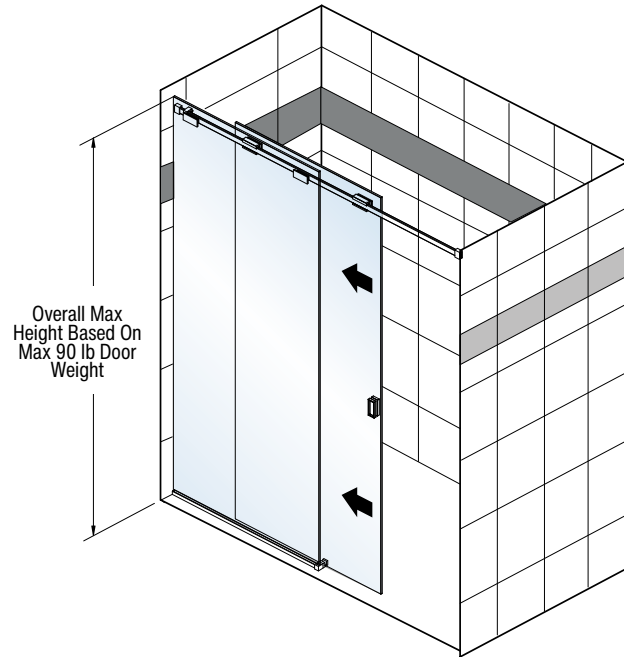
4361 Firestone Blvd. South Gate, CA 90280
Toll Free (888) 295-4531 | Fax (323) 336-8307
email showers@fhc-usa.com
FHC-USA.COM

FHC Compass Series Sliding Shower Door Kit

Section View of Sliding Shower Kit



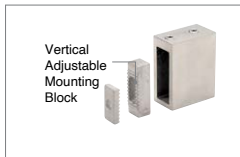
Isometric View of Sliding Shower Kit



Kits Include the Following Components:



ITEM NO. **COMH1XX**
78" Header Track (Qty. 1)



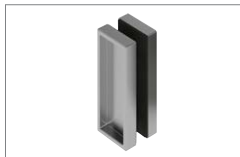
ITEM NO. **DCW1XX**
Wall Mount Fittings (Qty. 2)



ITEM NO. **DCG1XX**
Multiway Door Guide (Qty. 1)



Item No. **DCS1XX**
Sliding Panel Stopper (Qty. 1)



ITEM NO. **COMPH1XX**
Pull Handle (Qty. 1)



ITEM NO. **CLSB3812XX**
95" Jamb L-Seal (Qty. 1)



ITEM NO. **COMRC1XX**
Rolling Carriage (Qty. 2)



ITEM NO. **COMF1XX**
Fixed Panel Standoff Fittings (Qty. 2)

XX = FINISH

FHC COMPASS SERIES SLIDING SHOWER DOOR KIT

ITEM NO.	FINISH
COM180PS	Polished Stainless
COM180BS	Brushed Stainless
COM180MB	Matte Black
COM180SB	Satin Brass

Minimum Order: 1 Each.

Available Finishes



PS
POLISHED
STAINLESS



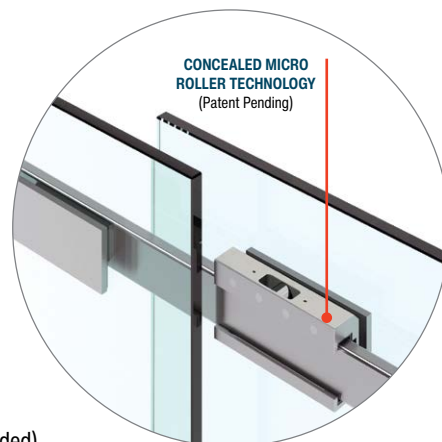
BS
BRUSHED
STAINLESS



MB
MATTE
BLACK



SB
SATIN
BRASS*



SPECIFICATIONS

- » Glass Sizes: 3/8" (10 mm) Tempered Glass (Not Included)
- » Construction: Stainless Steel
- » Glass Fabrication Required: Template Available at fhc-usa.com
- » Includes: Mounting Hardware and Installation Instructions



LIT0215 01.24.23