

FHC ACHIEVE®

FGR Frameless Glass Railing Systems



PROFESSIONAL GRADE

ACHIEVE®

FGR FRAMELESS GLASS RAILINGS
U.S. Patent Nos. 11,686,102 B2 and 11,613,895 B2

- » Designed and Engineered for Heavy Glass Railings, Guardrails, and Windscreens
- » Innovative Design Maintains Industry Standard 4-1/8" Base Shoe Height
- » Compatible With 1/2" Tempered Monolithic, 9/16", 11/16" and 13/16" Tempered Laminated Glass
- » New Design - 40% Lighter Than Traditional Base Shoe
- » Innovative "One Seal" Gasket Makes Installations Easy, and Less SKUs to Stock
- » Custom Fabrication Services Available



**BEST INNOVATION
FOR INSTALLERS**

The Next Generation Dry Glaze Railing System



**NEW
ENGINEERED
DESIGN**

CSI DIVISION 05

SECTION

05 7300

FHC's ACHIEVE® FGR Frameless Dry Glaze Glass Railing System offers the same performance characteristics of traditional glass railing systems, but with significantly expedited installation times. The proprietary dual angle shims and installation/removal kit eliminate the hassle of traditional expansion cements and allow for adjustment and/or removal of the glass. FHC's ACHIEVE® mechanical shim set is a dry attachment system that can be removed as easily as it is installed. Designed and optimized to reduce stress on monolithic and laminated tempered glass, this is the next generation of glass railing systems.

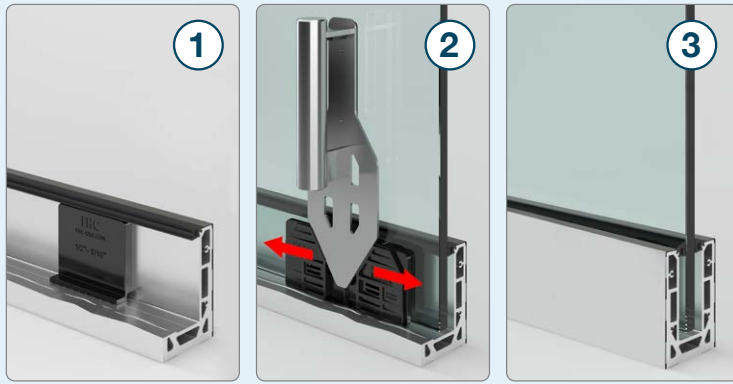


**The Glazing
Supply Company**

EXPERIENCE AND INNOVATION



4361 Firestone Blvd. South Gate, CA 90280
Toll Free (888) 295-4531 | Fax (323) 336-8307
email railing@fhc-usa.com
FHC-USA.COM



Fast & Easy Installation

- 1 Install Base Shoe, Exterior Gasket & Setting Block
- 2 Install Glass & Set Shims Using Installation Tool
- 3 Apply Cladding & Roll-in Interior Gasket Using VRT17 Vinyl Roller Tool to Finish the Install



FHC ACHIEVE® FGR Frameless Glass Railing Systems

FHC ACHIEVE® Base Shoes

- » New Innovation Design, Utilizes Standard 4-1/8" Base Shoe Height
- » Design 40% Lighter Than Traditional Base Shoes
- » 10' and 20' Stock Lengths Available Drilled and Undrilled
- » Designed For Heavy Glass Railing and Windscreen Applications
- » Custom Fabrication Services Available



» FHC Innovative "ONE SEAL" 1SGA Series Gasket Makes Installation Easy. Installers Can Pre-Load Gasket Before Setting Glass and Use the Same Gasket on the Inside to Finish Installation

FHC ACHIEVE® BASE SHOES

MODEL	GLASS SIZE
A1M Series	1/2" to 9/16" (12 to 13.52 mm)
A3M Series	11/16" (17.52 mm)
A5M Series	13/16" (21.52 mm)



FHC ACHIEVE® Installation & Removal Tool Kit

- » Extremely Simple and Easy to Use
- » Designed For Use with FHC's Revolutionary ACHIEVE® Shim Sets
- » FHC's ACHIEVE® Tool Kit Includes Everything Needed for the Installation and Removal Process
- » Quality Heavy-Duty Stainless Steel Tools, Built to Last
- » FHC's Precision Engineered Tool Design Allows For Accurately Measured Installs Every Time
- » Works with Monolithic and Laminated SGP Tempered Glass
- » For Use with Surface Mount, Fascia/Side Mount, and Recessed Mount Base Shoe Applications



ITEM NO. ACH1K

FHC ACHIEVE® Dry Glaze Shim Set

- » No More Messy Wet Set Cement
- » Shim Sets for 1/2" to 11/16" and 13/16" Glass
- » Packaged 10 Shim Sets Per Box
- » Works With FHC Achieve® Series Base Shoes
- » Can be Used with Surface Mount, Fascia/Side Mount, and Recessed Mount Base Shoe Applications
- » Designed for Use With FHC Item No. ACH1K Installation Tools



10 Shim Sets Per Box

ACHIEVE® Shims

ITEM NO.	DESCRIPTION
ACH2G	For 1/2" to 11/16" Glass
ACH3G	For 3/16" Glass

Minimum Order: 1 Box.



To See Our Complete Selection of Architectural Railing Products Visit FHC-USA.COM and View Our FGR24R Architectural Railing Systems Catalog

- » Frameless Glass Railing Systems
- » FHC Handrails, Brackets & Components
- » FHC Frameless Glass Railing Cap Rails, Gaskets & Accessories
- » FHC Frameless Glass Fence Hardware
- » FHC Frameless Point Supported Railing Standoff Systems
- » FHC Glass Gate Systems
- » FHC F-Series Heavy-Duty Stainless Steel Post Railing Systems



LIT0217 REV. 01.26.23