

**NEW**

# FHC Precision Lock Plus<sup>®</sup>

Adjustable Glass Railing

PROFESSIONAL GRADE

**NEW  
ENGINEERED  
DESIGN**

- » Advanced Tilting Technology Allows Installed Glass Tilting Capabilities up to 2 Degrees In Either Direction to Ensure a Perfect Alignment Every Time
- » FHC Precision Lock can be Safely Installed From Either Side of the Base Shoe Thanks to a Symmetrical Inner Channel
- » Easy Access to Tightening Fasteners from the Top of the Shoe
- » Thicker Material at the Bottom of the Shoe for Added Durability
- » Available in Four Standard Architectural Finishes



CSI DIVISION 05

SECTION

**05 7300**

FHC Precision Lock Plus<sup>®</sup> offers 2 degrees of tilt in either direction. A typical 42" guard rail height creates up to 1-1/2" adjustments per side. This insures precise alignment every time.



FHC Precision Lock Plus<sup>®</sup> Adjustable Glass Railing is the latest innovation in glass railing. Allowing the installer to adjust the glass for plumb quickly and easily with no specialized tools, this product provides the best solution to the real-world installation conditions encountered at all construction sites.

With a full range of top rails, hand rails, fasteners, drain blocks, and cladding you can count on FHC to help make your next glass railing job fast and profitable.

**FHC**<sup>®</sup>  
FRAMELESS HARDWARE COMPANY

**The Glazing  
Supply Company**

EXPERIENCE AND INNOVATION

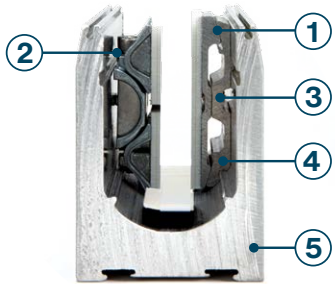


4361 Firestone Blvd. South Gate, CA 90280  
Toll Free (888) 295-4531 | Fax (323) 336-8307  
email [railing@fhc-usa.com](mailto:railing@fhc-usa.com)  
[FHC-USA.COM](http://FHC-USA.COM)

LIT0255 05.16.23

# Advanced Design for a Simple Installation NEW

Our Innovative Glass Railing System Gives You Minimal Sightlines With Fast and Easy Installations



- 1 Advanced Tilting Technology Allows the Glass to Tilt up to 2 Degrees in Either Direction for Precise Alignment of Consecutive Glass Panels
- 2 Easy Access to Tighten Fasteners from the Top of the Shoe
- 3 Grooves in the Inner Channel Prevent Shifting During Glass Installation
- 4 A Symmetrical Channel Allows for Installation on Either Side of the Shoe for Added Safety on Elevated Surfaces
- 5 Thicker Material at the Bottom of the Shoe for Added Durability to Prevent Splaying

## Available Finishes



## FHC Precision Lock Plus® Adjustable Glass Railing Components

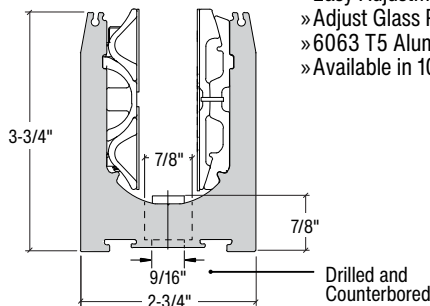
### FHC Precision Lock Plus® Glass Locks

- » Allows up to 2 Degrees Glass Panel Adjustment
- » Patented Design Allows Easy Access for Adjustment
- » Packaged 10 Glass Locks Per Box
- » Install Glass Locks Every 12" to 14" on Center



### FHC Precision Lock® Aluminum Base Shoe

- » Compatible with 1/2" - 13/16" Glass
- » Easy Adjustment, Does Not Require Special Tools
- » Adjust Glass Panels up to 2 Degrees From Plumb
- » 6063 T5 Aluminum Alloy
- » Available in 10' and 20' Base Shoe Lengths



Base Shoe Profile



#### FHC PRECISION LOCK PLUS® GLASS-LOCKS

ITEM NO.	DESCRIPTION
<b>PL916M</b>	Glass-Locks for 1/2" to 9/16" Glass Thickness (.469-.550")
<b>PL1116M</b>	Glass-Locks for 5/8"-11/16" Glass Thickness (.569-.726")
<b>PL1316M</b>	Glass-Locks for 3/4"-13/16" Glass Thickness (.705-.906")

Minimum order: 1 pack.

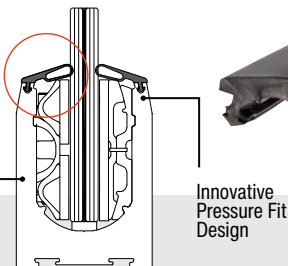
#### FHC PRECISION LOCK® BASE SHOE

ITEM NO.	DESCRIPTION
<b>PL75M10D</b>	Drilled 12" C.T.C. 120" Long
<b>PL75M20D</b>	Drilled 12" C.T.C. 240" Long

Minimum order: 1 each. Must ship common carrier.

### FHC Precision Lock Plus® Traditional Gasket

- » Used on Applications Without Cladding
- » Can be Pre-Installed on Outside of Shoe

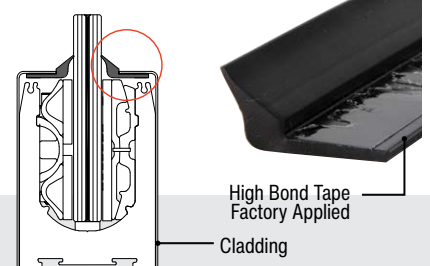


For Applications Without Cladding

ITEM NO. **PLGS250**  
250' Roll

### FHC Precision Lock Plus® Cladding Gasket

- » Used on Applications With Cladding
- » Pre-Installed on Outside of Shoe With Cladding
- » Tape Applied



High Bond Tape Factory Applied

Cladding

ITEM NO. **PGASKET5TA**  
100' Roll

### FHC Precision Lock Plus® Cladding

- » Install With CT040 High Bond Tape or S790BL Silicone

Custom Fabrication Services Available. Contact FHC Technical Sales for a Quote.



ITEM NO. **PLC10XX**  
120' Long Stock Length

XX = FINISH

### FHC Precision Lock Plus® End Cap

- » Fits PL75 Series Base Shoe
- » Install With CT040 High Bond Tape or S790BL Silicone

Custom End Caps Available. Contact FHC Technical Sales for a Quote.



ITEM NO. **PL75ECXX**  
Minimum Order: 1 Each