



**FRAMELESS HARDWARE COMPANY**  
THE GLAZING SUPPLY COMPANY

**The Glazing Supply Company**  
**EXPERIENCE AND INNOVATION**

GLAZING SUPPLIES  
SHOWER DOOR HARDWARE  
ARCHITECTURAL HARDWARE  
RAILING HARDWARE

STOREFRONTS & ENTRANCES  
TRANSACTION HARDWARE  
METAL EXTRUSIONS  
DIACK STORE FIXTURES

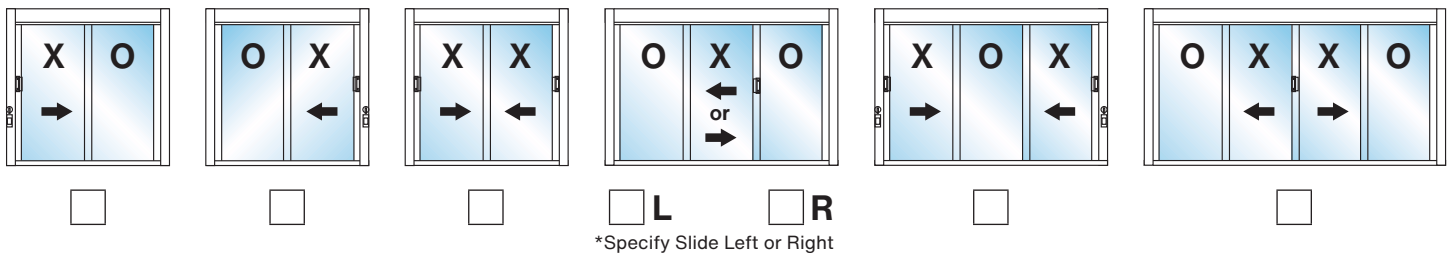
P.O. Box 1906 South Gate, CA 90280 | Toll Free: (888) 295-4531 | Fax: (323) 336-8307 | fhc-usa.com

**FHC FDW DELUXE SERVICE WINDOW QUOTE/ORDER FORM**

**CUSTOMER INFORMATION:**

CONTACT NAME \_\_\_\_\_ DATE \_\_\_\_\_  
 COMPANY NAME \_\_\_\_\_ ACCOUNT # \_\_\_\_\_  
 SHIPPING ADDRESS \_\_\_\_\_ PHONE \_\_\_\_\_  
 CITY \_\_\_\_\_ STATE \_\_\_\_\_ ZIP \_\_\_\_\_ FAX \_\_\_\_\_  
 JOB NAME \_\_\_\_\_ EMAIL \_\_\_\_\_  
 JOB STATUS  BID  AWARDED

**AVAILABLE CONFIGURATIONS: AS VIEWED FROM THE CLERK'S SIDE**



**FRAME SIZE:**

WIDTH \_\_\_\_\_ HEIGHT \_\_\_\_\_

\*\*ROUGH OPENING TO EXCEED FRAME SIZE  
MINIMUM 1/2" ON WIDTH MINIMUM 1/4" ON HEIGHT

**GLASS THICKNESS:**

- 1/4"
- 1/2"
- 9/16"
- 5/8"

**FINISH:**

- SATIN ANODIZED
- BLACK/BRONZE ANODIZED
- POWDER PAINT  
(Specify Color) \_\_\_\_\_
- KYNAR® PAINT  
(Specify Color) \_\_\_\_\_

**OPTIONS:**

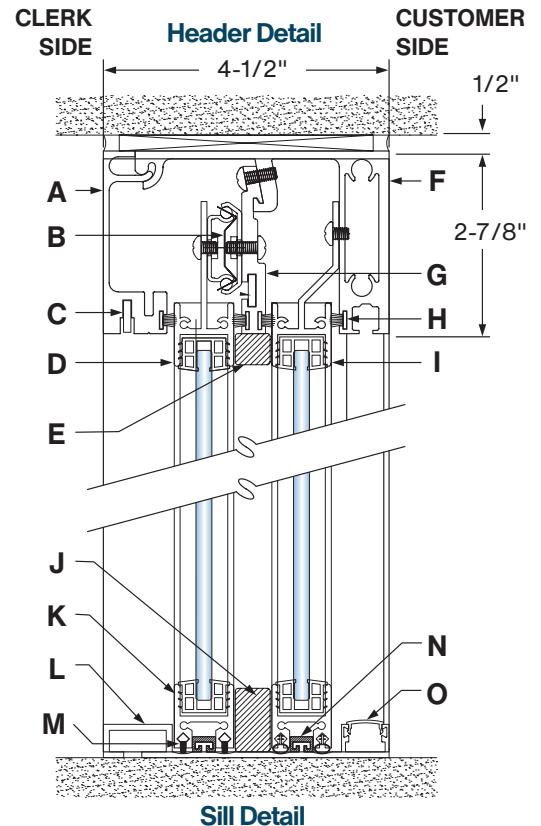
- THUMBTURN LOCK/LOCK INDICATOR
- FULL BOTTOM TRACK
- OPEN COUNTER AREA
- STAINLESS STEEL SHELF
- STAINLESS STEEL SILL
- SELF CLOSING
- NO LOCK/HOOK LATCH HANDLE ONLY

**HEADER DETAIL:**

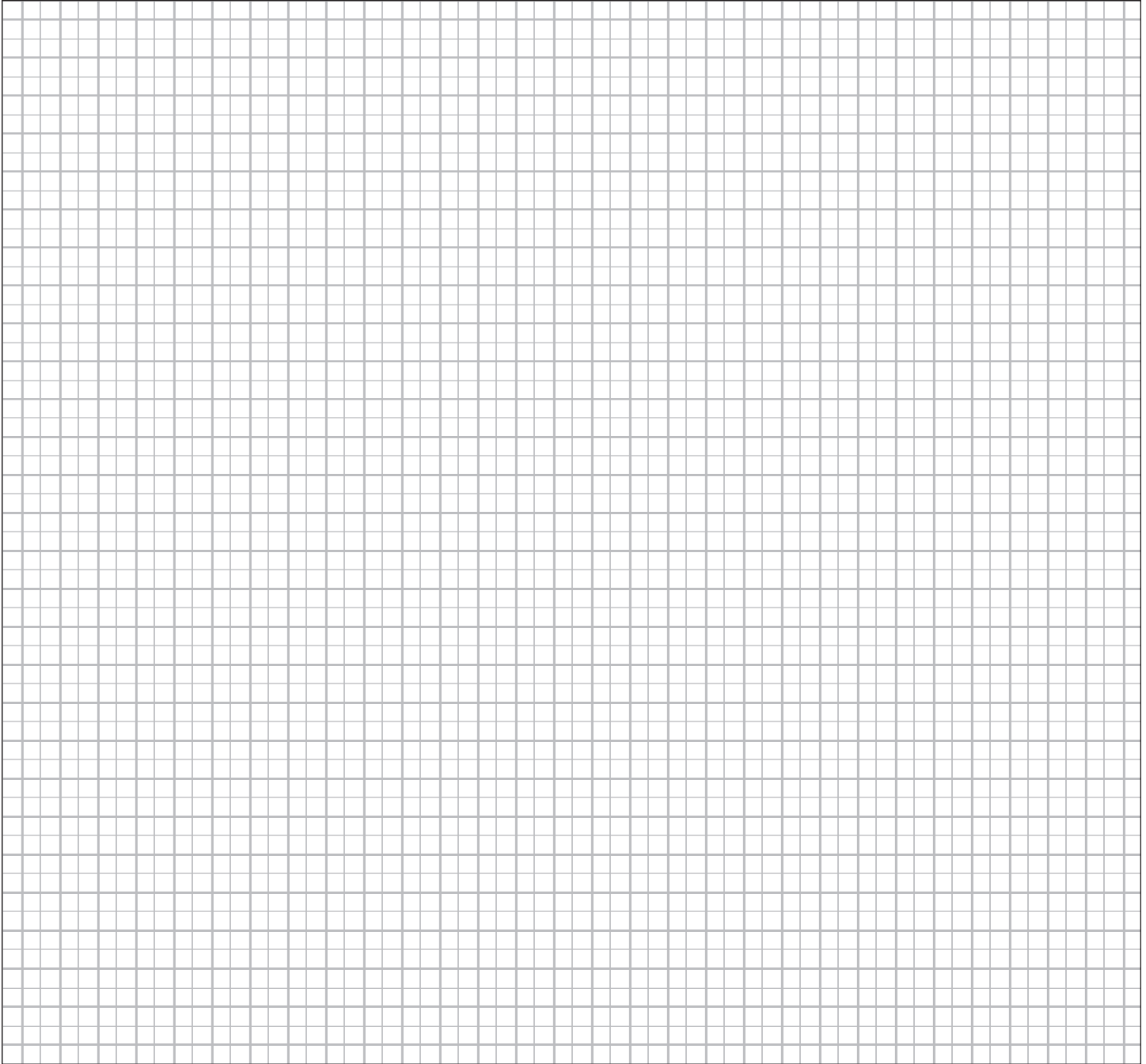
- A. ACCESS PANEL
- B. HEAVY-DUTY WINDOW TRACK
- C. HEADER SUPPORT BRACKET
- D. SLIDING TOP RAIL
- E. HEAVY-DUTY TOP GUIDE
- F. HEADER
- G. CENTER DIVIDER
- H. WEATHER STRIP
- I. FIXED LITE TOP RAIL

**SILL DETAIL:**

- J. HEAVY-DUTY BOTTOM GUIDE
- K. BOTTOM RAIL
- L. BOTTOM TRACK
- M. WEATHER STRIP
- N. VINYL GUIDES
- O. SCREEN RACE CAP



**ELEVATION SKETCH:**



**NOTES & COMMENTS:**

\_\_\_\_\_

\_\_\_\_\_

\_\_\_\_\_

\_\_\_\_\_

\_\_\_\_\_

\_\_\_\_\_

\_\_\_\_\_

\_\_\_\_\_

\_\_\_\_\_

\_\_\_\_\_